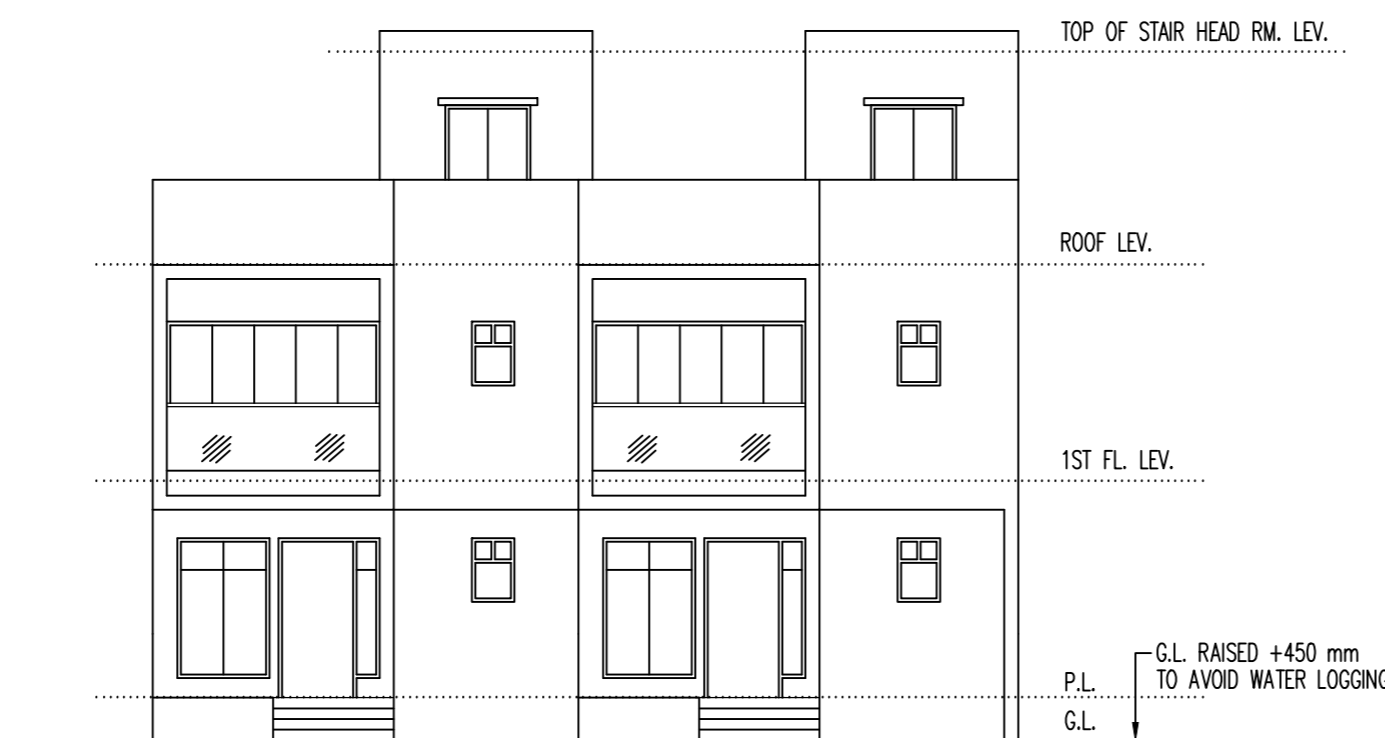
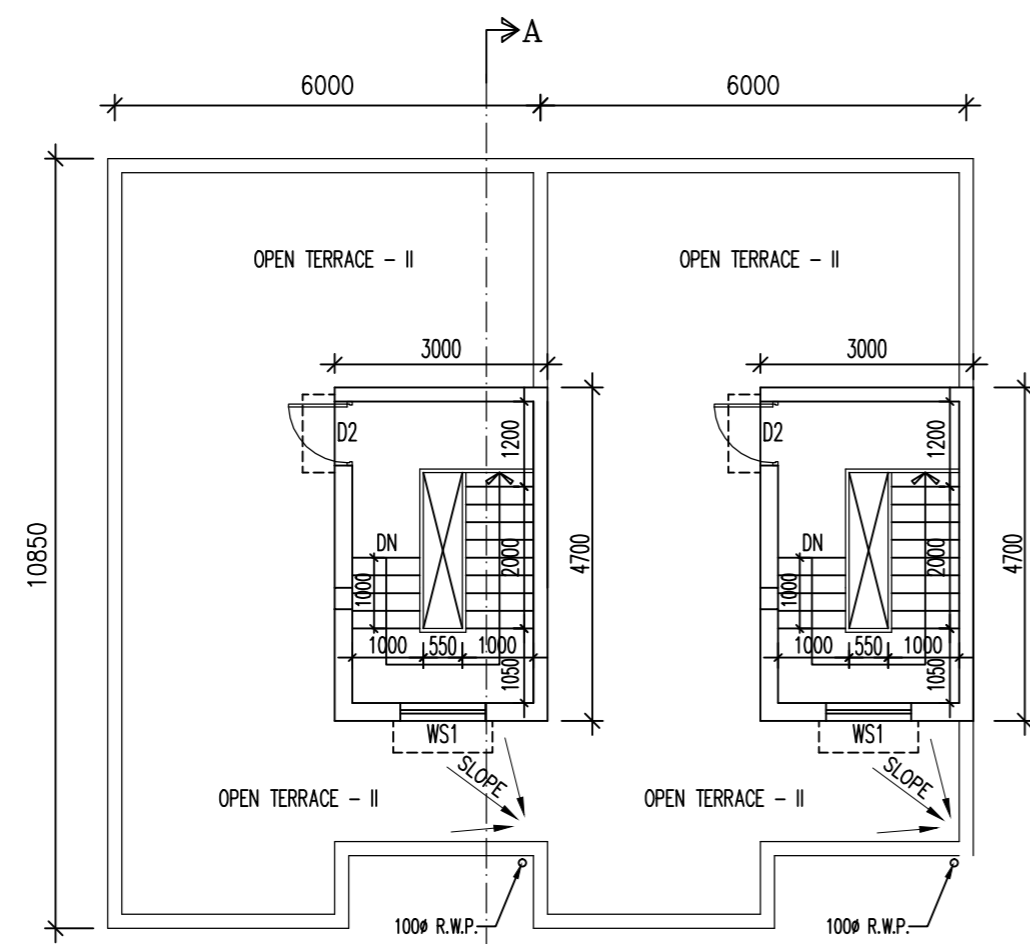


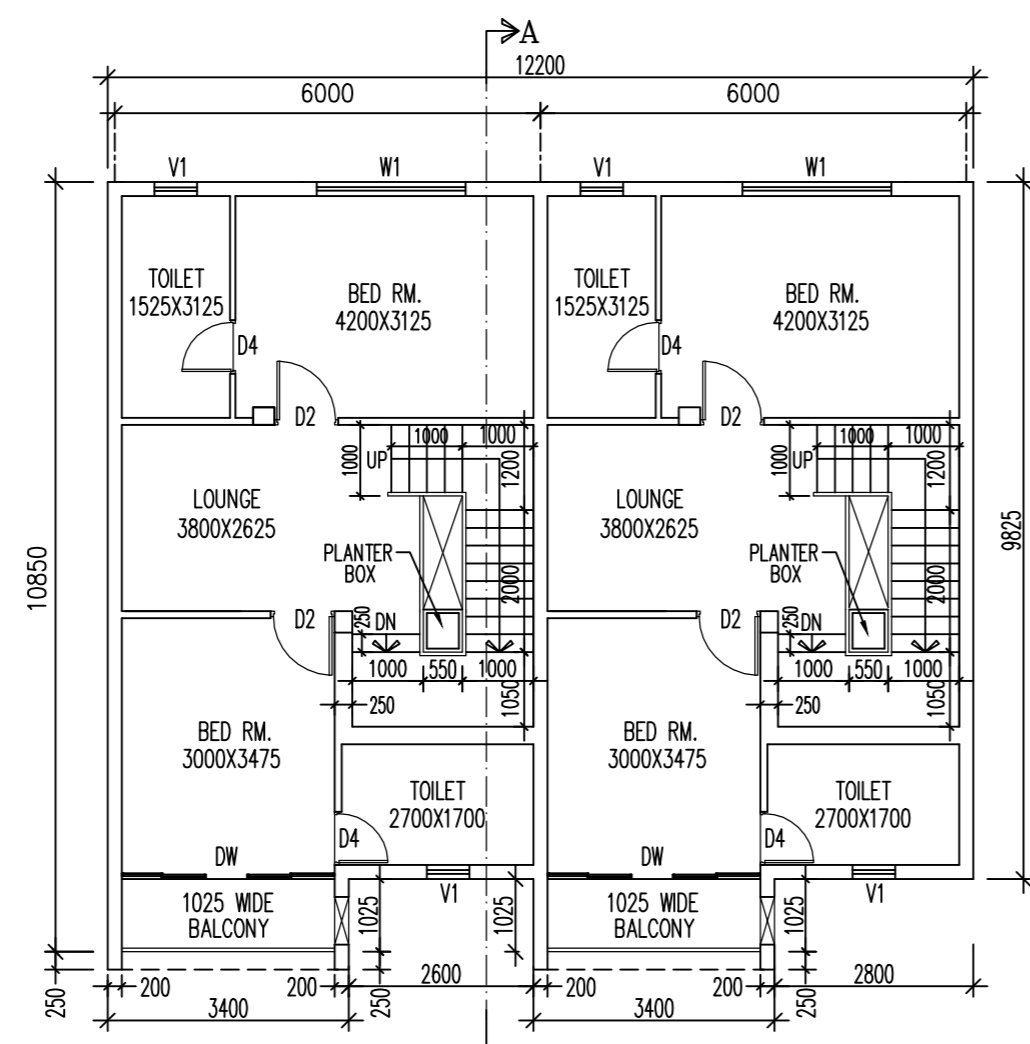
SECTION AT - AA  
RESIDENTIAL BUILDING  
(BUNGLOW)  
SCALE-1:100



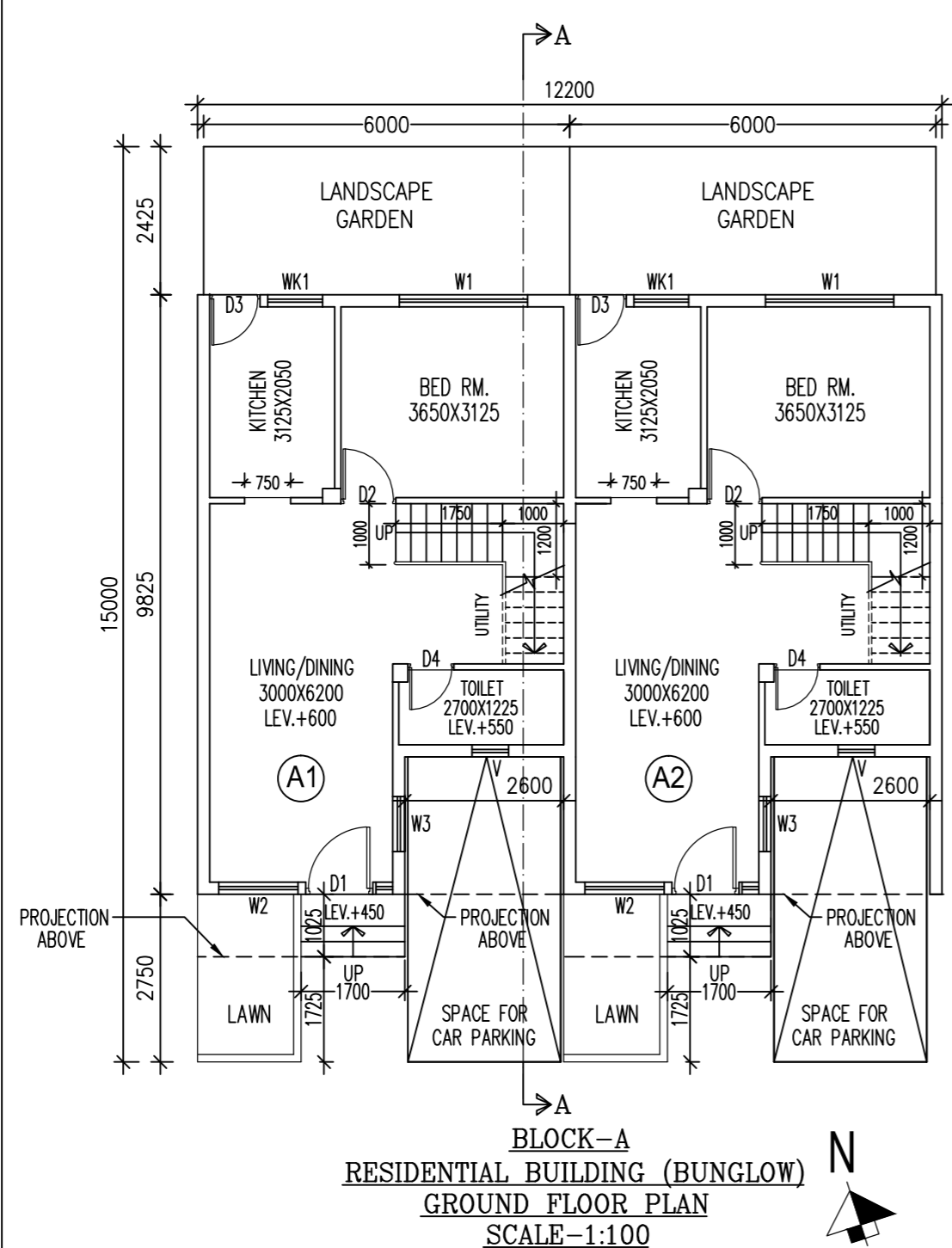
FRONT ELEVATION  
RESIDENTIAL BUILDING  
(BUNGLOW)  
SCALE-1:100



RESIDENTIAL BUILDING (BUNGLOW)  
2ND FLOOR PLAN  
SCALE-1:100



RESIDENTIAL BUILDING (BUNGLOW)  
1ST FLOOR PLAN  
SCALE-1:100



BLOCK-A  
RESIDENTIAL BUILDING (BUNGLOW)  
GROUND FLOOR PLAN  
SCALE-1:100

**DOORS & WINDOWS SCHEDULE**

TYPE	SILL	LINTEL	SIZE	TYPE	SILL	LINTEL	SIZE
D1	-	2250	1100X2250	W1	275	2250	2100X1975
D2	-	2250	900X2250	W2	275	2250	1300X1975
D3	-	2250	825X2250	W3	275	2250	900X1975
D4	-	2250	750X2250	WK	1050	2250	1200X1200
DW	-	2250	3000X2250	WK1	1050	2250	900X1200
GD	-	2250	1500X2250	WS	900	2250	1200X1350
GD1	-	2250	1350X2250	WS1	600 FROM ROOF LEV. AS PER SITE	2250 FROM ROOF LEV. BOTTOM OF BEAM	1200X1650
SLD	-	2250	1500X2250	V	1350	2250	600X900
				V1	1350	2250	600X900

**GENERAL NOTES**

1. ALL DIMENSIONS ARE IN MM.
2. ALL EXTERNAL WALLS 200 THK. & INTERNAL WALLS 75 THK. UNLESS OTHERWISE MENTIONED.
3. ALL MASONRY WORKS ARE BOUNDED BY CEMENT MORTAR (1:6) & (1:4).
4. EXTERNAL PLASTER IS 25 THK. & INTERNAL PLASTER IS 12MM. THK. WITH 1:4 MORATAR.
5. ALL CONC. GRADE IS M200 (1:1.5:3).

1. I ENGAGED ARCHITECT AND E.S.E DURING CONSTRUCTION
2. I FOLLOWED THE INSTRUCTIONS OF ARCHITECT AND E.S.E DURING CONSTRUCTION OF THE BUILDING..
3. K.M.C AUTHORITY WILL NOT BE RESPONSIBLE FOR STRUCTURE STABILITY OF BUILDING AND ADJOINING STRUCTURE.
4. IF ANY SUBMITTED DOCUMENT IS FOUND TO BE FAKE THE K.M.C AUTHORITY MAY REVOKE THE SANCTION PLAN.
5. THE CONSTRUCTION OF WATER RESERVOIR AND SEPTIC TANK EXECUTED UNDER THE GUIDENCE OF ARCHITECT & E.S.E

**NAME OF OWNER**

ANIRUDH MODI ( DIRECTOR )  
DIRECTOR OF NORTECH PROPERTY PVT. LTD. CONSTITUTED  
ATTORNEY FOR BAGIRATHI ABASAN PVT. LTD. & 23 OTHERS

**ADDRESS:**

6C, ELGIN ROAD, ORIENTAL HOUSE,  
KOLKATA - 700073.

**CERTIFICATE OF STRUCTURAL ENGINEER**

CERTIFIED THAT, "THE STRUCTURAL DESIGN & DRAWINGS OF BOTH FOUNDATION & SUPER STRUCTURE OF THE BUILDING HAS BEEN MADE BY ME CONSIDERING ALL POSSIBLE LOADS INCLUDING THE SEISMIC LOAD AS PER THE NATIONAL BUILDING CODE OF INDIA & CERTIFIED THAT IT IS SAFE & STABLE IN ALL RESPECTS".

**NAME OF STRUCTURAL ENGINEER**

SANJIV J. PAREKH,  
E.S.E. I (104),

**ADDRESS:**

34 RAMMOHAN DUTTA ROAD,  
KOLKATA - 700020.

**CERTIFICATE OF ARCHITECT**

THE L.B.A. HAS CERTIFIED ON THE PLAN ITSELF WITH FULL RESPONSIBILITY THAT THE BUILDING PLAN HAS BEEN DRAWN UP AS PER PROVISION OF K.M.C. BLDG. RULES 2009, AS AMENDED FROM TIME TO TIME AND THAT THE SITE CONDITION INCLUDING THE WIDTH OF THE ABUTTING ROAD CONFIRM WITH THE PLAN AND IT IS A BUILD ABLE SITE AND NOT A TANK OR A FILLED UP TANK.

**NAME OF ARCHITECT**

RAJ KUMAR AGARWAL  
COUNCIL REGISTRATION NO. CA/94/17940

**ADDRESS:**

RAJ AGRAWAL & ASSOCIATES  
8B, ROYD STREET (2ND FLOOR),  
KOLKATA-700016.

**TITLE**

BLOCK-A

PLANS, SECTIONS & ELEVATIONS OF RESIDENTIAL BUNGLOW.

**PROJECT**

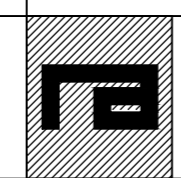
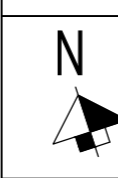
PROPOSED G+I STORIED (6.7 M.) RESIDENTIAL & G+II STORIED (12.45 M.) AMENITIES BUILDING AT 9 /12 /5, YENI SARANI, MOUZA-KALUA, UNDER R.S. DAG NO.-830(P),& 830/1303, R.S. KHATIAN NO.-907 & 894, TOUJI NO.- 98, & 58, R.S. NO - 336, J.L. NO - 22, CORRESPONDING TO L.R. DAG NO. - 840 & 867, L.R. KHATIAN NO.-7075,7076,7077,7078,7079,7080,7081, 7082,7083,7084,7085,7086,7087,7088,7089,7090,7091,7092, 7093,7094,7095, 7096,7097,7098, BOROUGH -XVI, P.S. - HARIDVEPUR, DIST - 24 PARGANAS(SOUTH) WITHIN THE K.M.C. PRE. NO. - 9/12/5, YENI SARANI, WARD NO.- 143, KOLKATA - 700104.

DATE	JOB. NO.	DEALT	CHECKED	SHEET NO.
20.10.2022	ARCH/2021/709	GARGI	RAJ SIR	2 OF 7

**SCALE-**

1:100

**A R C H I T E C T**



RAJ AGRAWAL & ASSOCIATES  
8B, ROYD STREET, KOLKATA - 16

MBC MEETING NO-607 DATED-08.12.2022  
MBC RESOLUTION NO-271/22-23

SANCTION NO-2022160540 DATED 09.03.2023  
VALID UP TO- 08.03.2028

DIGITAL SIGN OF E.E(C)

DIGITAL SIGN OF A.E(C)

**NOTE**

THE G.L. LEVEL HAS BEEN RAISED BY 450 mm AS DIRECTED BY THE S&D DEPARTMENT FOR THE SMOOTH FLOW OF THE DRAINAGE.

UNDERSIGNED HAS INSPECTED THE SITE AND CARRIED OUT SOIL INVESTIGATION THEREON. IT IS CERTIFIED THAT THE EXISTING SOIL OF THE SITE IS ABLE TO CARRY THE LOAD COMONG FROM THE PROPOSED CONSTRUCTION AND THE FOUNDATION SYSTEM PROPOSED HEREIN IS SAFE & STABLE IN ALL RESPECT FROM GEO-TECHNICAL POINT OF VIEW.

**NAME OF GEOTECH ENGINEER**

JISHNU PAL  
LBS LIC NO. :- G.T./1/32

**ADDRESS:**

NORTH BAKSARA PALPARA, HOWRAH,  
P.O.- BAKSARA, P.S.- JAGACHA,  
PIN - 711110

**PART-B:**

1. PROPOSED HEIGHT (IN MM.) =	6700				
2. PROPOSED AREA CALCULATION :-					
FOR RESIDENTIAL :-					
AT FLOOR	CONRD AREA	CUTOUT	SNR & SHR LOBBY	LFT LOBBY	NET BLDG AREA
GROUND FLOOR AREA	118.865	-	8.75	-	111.115
1ST FLOOR AREA	128.835	1.760	14.915	-	110.160
TOTAL	246.700	1.760	23.665	-	221.275
3. TENEMENTS & CAR PARKING CALCULATION :-					
RESIDENTIAL :-					
MARKED	TENEMENT SIZE	PROPORTIONAL AREA TO BE ADDED	ACTUAL TENEMENT AREA	NO. OF TENEMENT	REQD. CAR PARKING
A1.	116.395	5.969	122.364	01	100x200-02
A2.	116.395	5.969	122.364	01	
TOTAL NO. OF FLAT				02	NOS.
TOTAL NOS. OF CAR FOR RESIDENTIAL				02	NOS.
4. PROVIDED CAR PARKING :- (GR. OPEN (SNGLE)				02	NOS.
5. TOTAL STAIR HEAD ROOM AREA :-				28.20	SGM.
6. OVER HEAD TANK AREA :-				NIL	SGM.
7. TERRACE AREA :-				126.835	SGM.
8. ROOF TOILET AREA :-				NIL	
9. OTHER AREA ONLY FOR FEES = (EXEMPTED AREA+SL NO.- 8)				23.665	SGM.